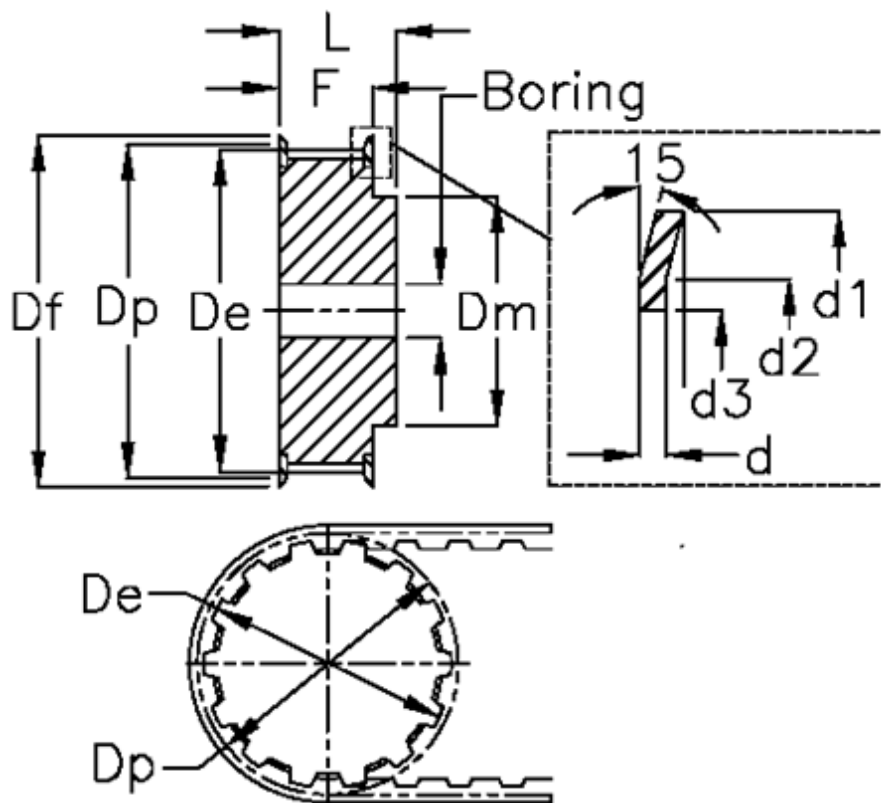


Article number: 604140018006

Description: Timing belt pulley with hub
HTD 18 3M 6

Measures



Bore = 6	Dp = 17.19
d = 0.5	F = 9.8
d1 = 20	Flange type = F06
d2 = 16.5	L = 17.5
d3 = 12.2	Tooth number = 18
De = 16.43	Type = 3M
Df = 20	Weight = -
Dm = 11	Width = 06